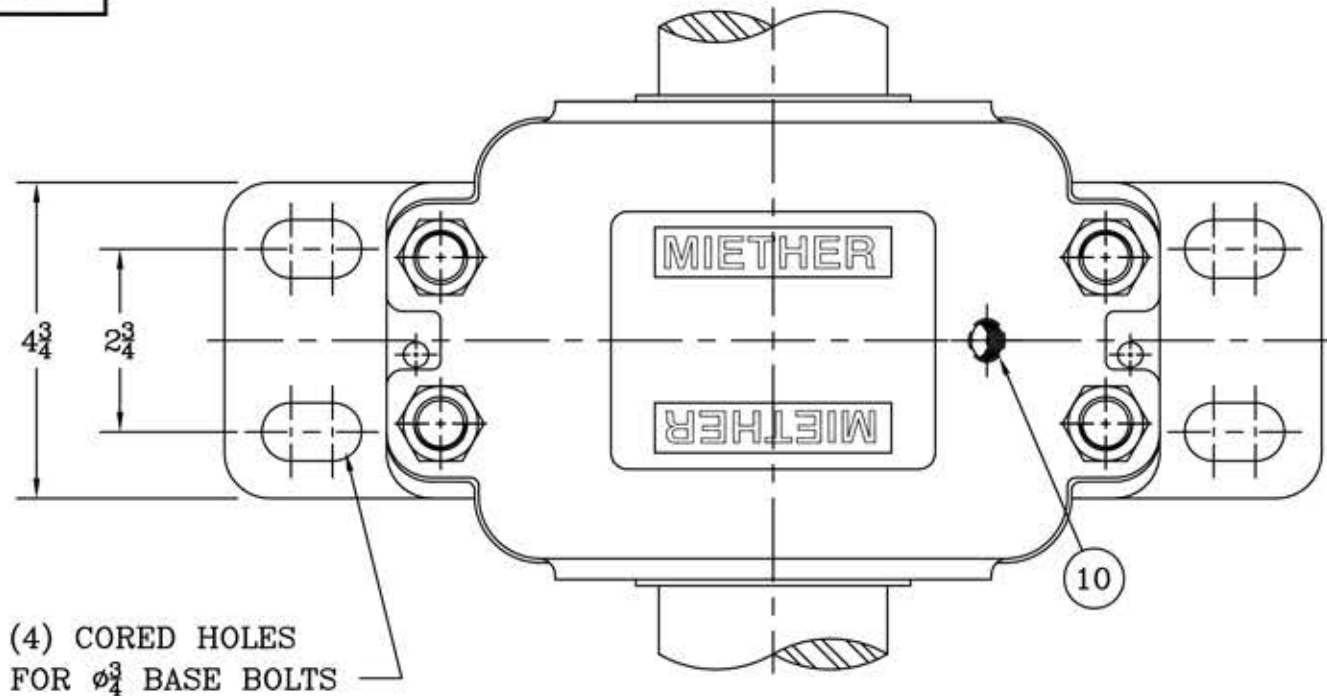
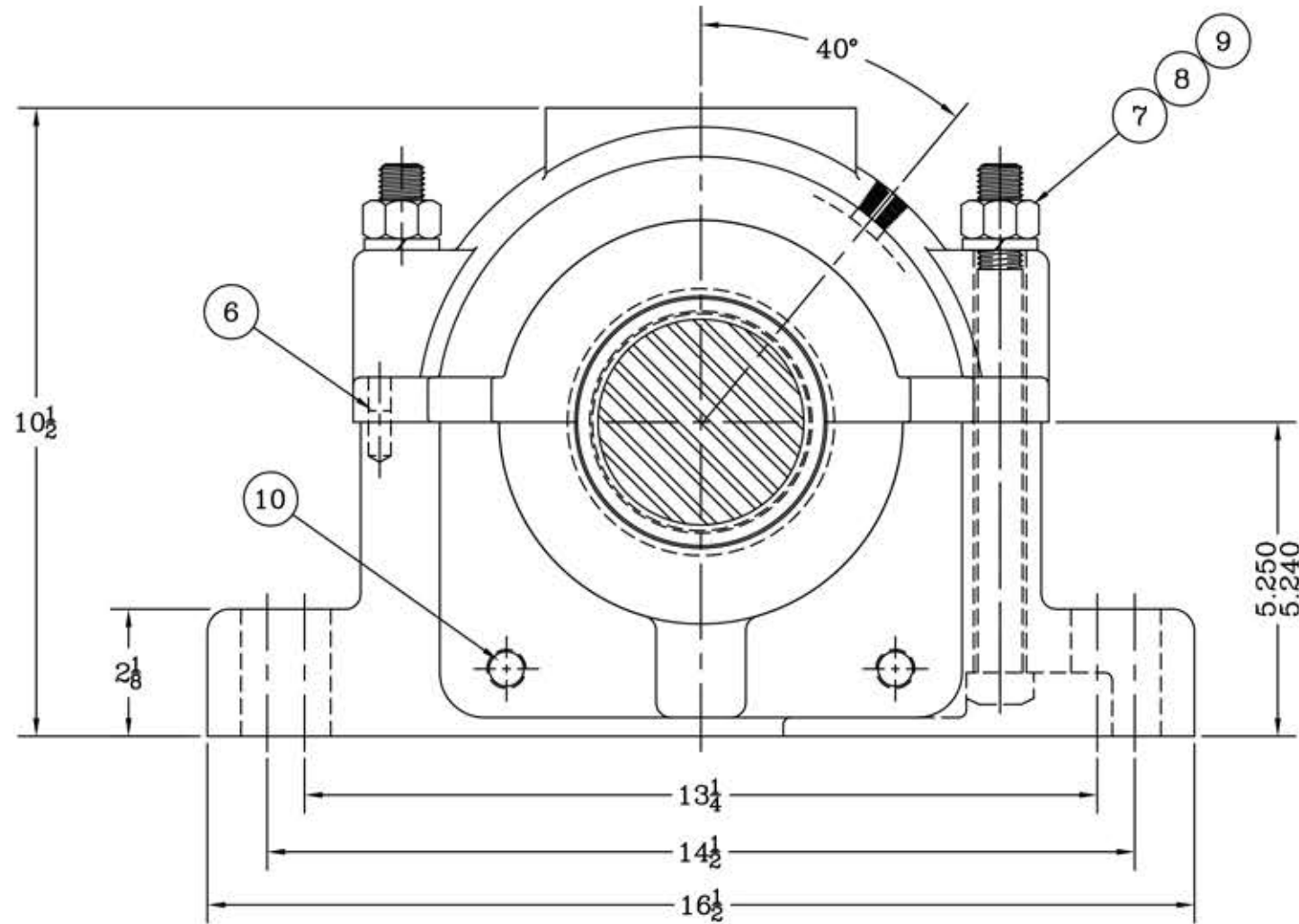


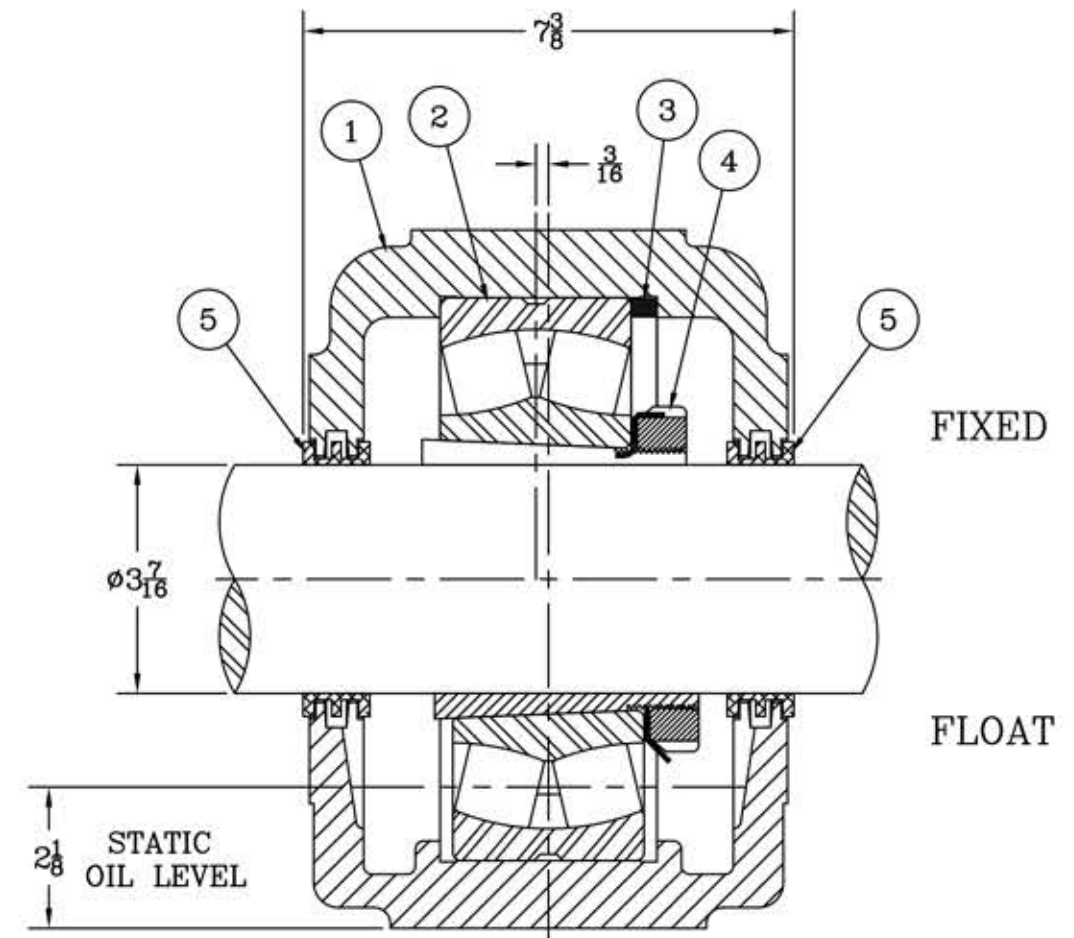
This drawing is the sole property of Miether Bearing Products and contains confidential and proprietary information. It is being provided to you for your use and may not be disclosed to any third party or used for any other purpose without Miether's prior written consent. The [materials] must be returned to the Company upon its demand. Your acceptance of these materials constitutes your acceptance of the foregoing terms.



(4) CORED HOLES FOR $\phi 3/4$ BASE BOLTS



ITEM	DESCRIPTION	DETAIL	REQUIRED	
			FXD.	FLT.
1	HOUSING SAF 620 03-07	C-13184	1	1
2	SPHERICAL ROLLER BEARING	22320K/W-33	1	1
3	STABILIZING RING SR-24-20	A-10604	1	0
4	ADAPTER SNW-120 03-07	24385	1	1
5	TRIPLE SEAL RING LER-102	A-10576	2	2
6	DOWEL	$\phi 3/8 \times 3/4$ LONG	2	2
7	CAP BOLT SQUARE HEAD	$3/4-10$ NC x $8 1/2$ LONG	4	4
8	CAP BOLT HEX. NUT	$3/4-10$ NC	4	4
9	LOCKWASHER	$3/4$ SPLIT MED.	4	4
10	PIPE PLUG	$3/8-18$ NPT	3	3



REDRAWN FOR CONFORMITY RWB per KAB 5-4-04

REVISIONS

TOLERANCE: UNLESS OTHERWISE SPECIFIED							
FRACTIONS $\pm 1/32"$				ANGLES $\pm 0^\circ 30'$			
DECIMALS $\pm .005"$				WELD $\pm 1/16"$			
CASTING $\pm 1/16"$							
A.I.S.I. STANDARD FINISHES							
SYMBOL	C	D	E	F	G	J	K
MICRO-INCH VALUE	16	32	63	125	250	500	1000


MIETHER
 BEARING PRODUCTS
 AN ALCO INDUSTRIES COMPANY
 ODESSA, TX. USA

SAF 22620 03-07	
ASSEMBLY DRAWING	
SCALE HALF	ASSEMBLY NO.
DRAWN CJ	
DATE 11/21/77	DRAWING NO.
CHK:	C-14499